

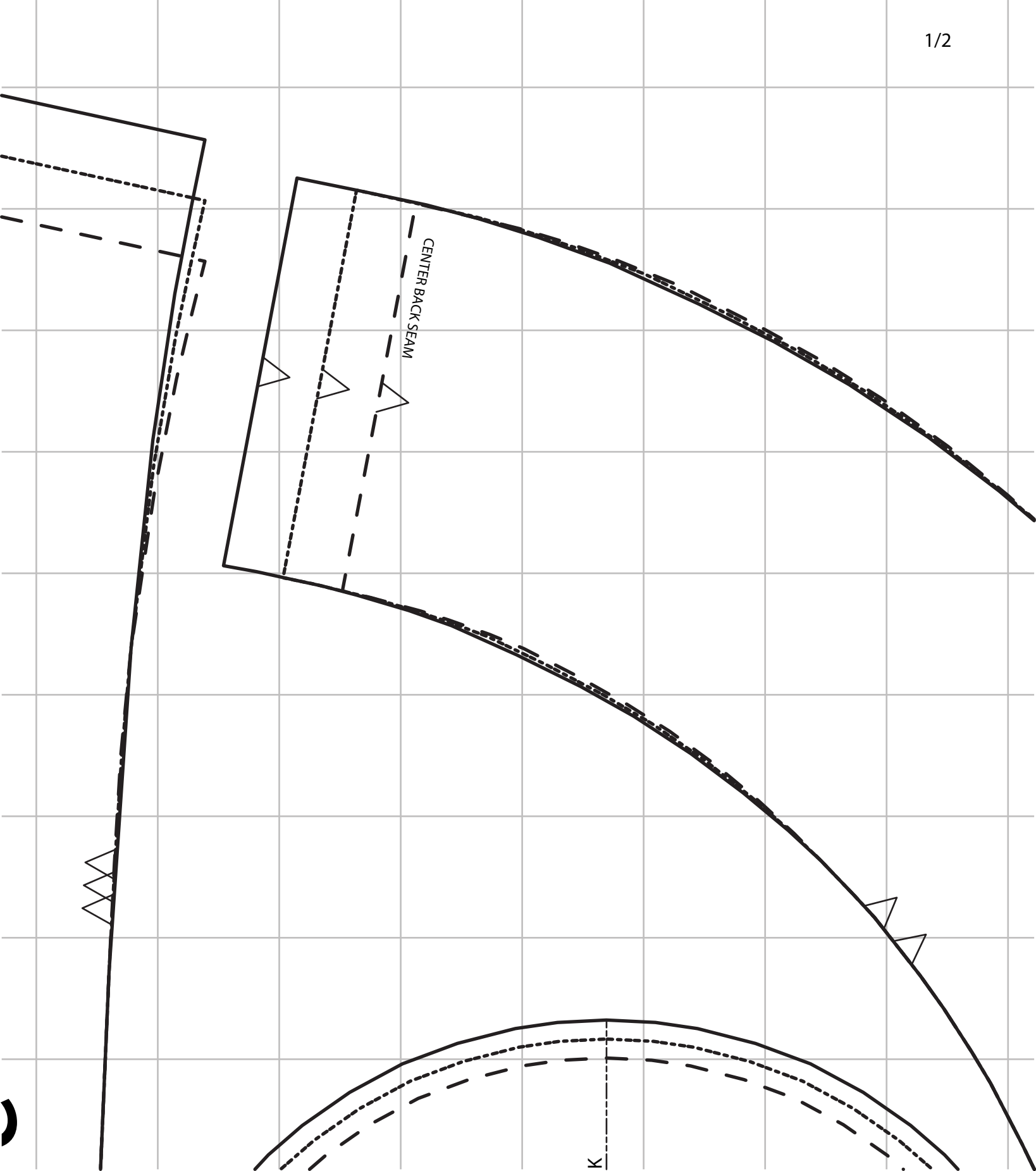
Simplicity®

2

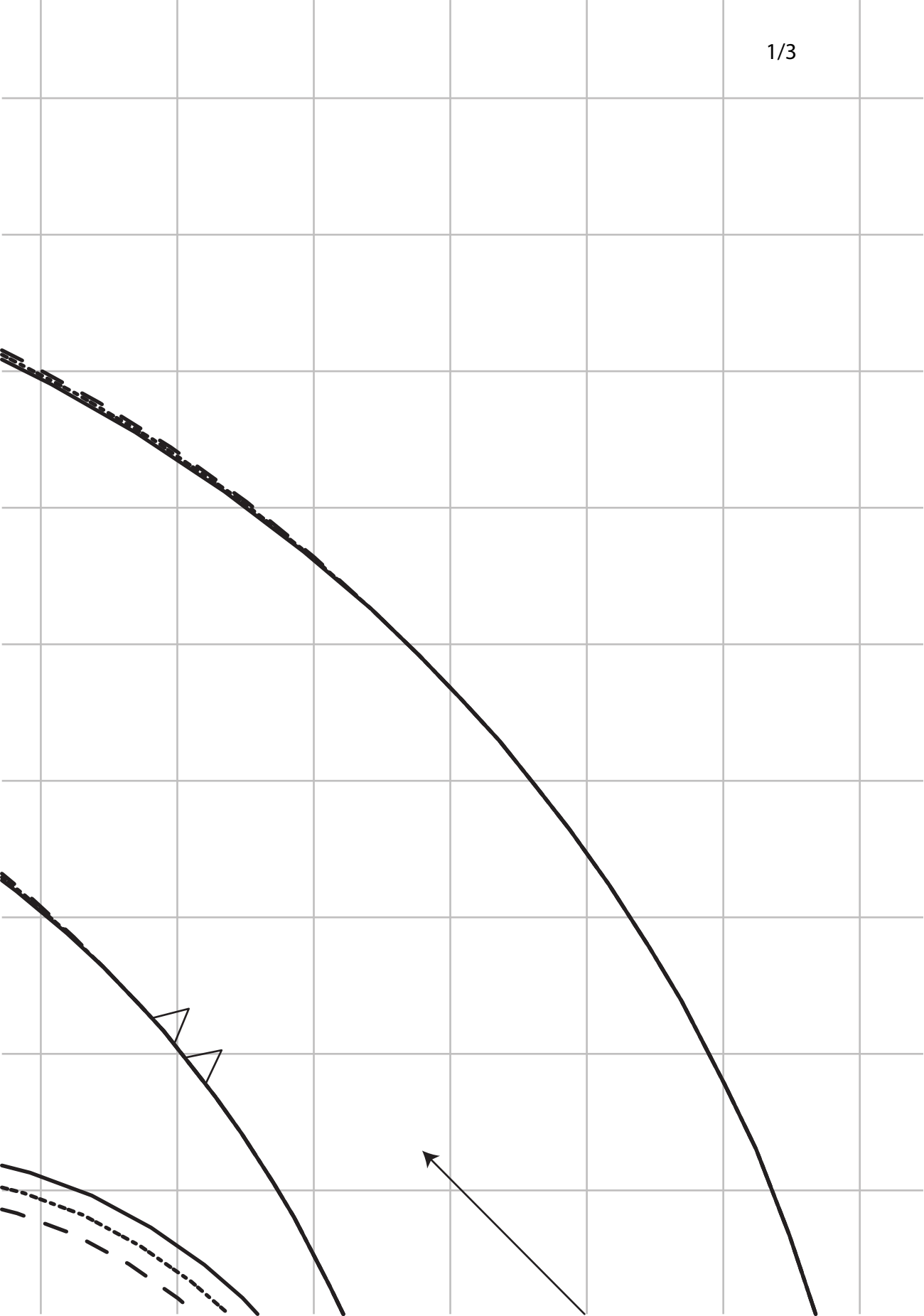
SMALL (21")
ADULT MEDIUM (22")
LARGE (23")

CROWN

CUT 2 OF FABRIC
CUT 2 OF INTERFACING



1/3



Simplicity®

2

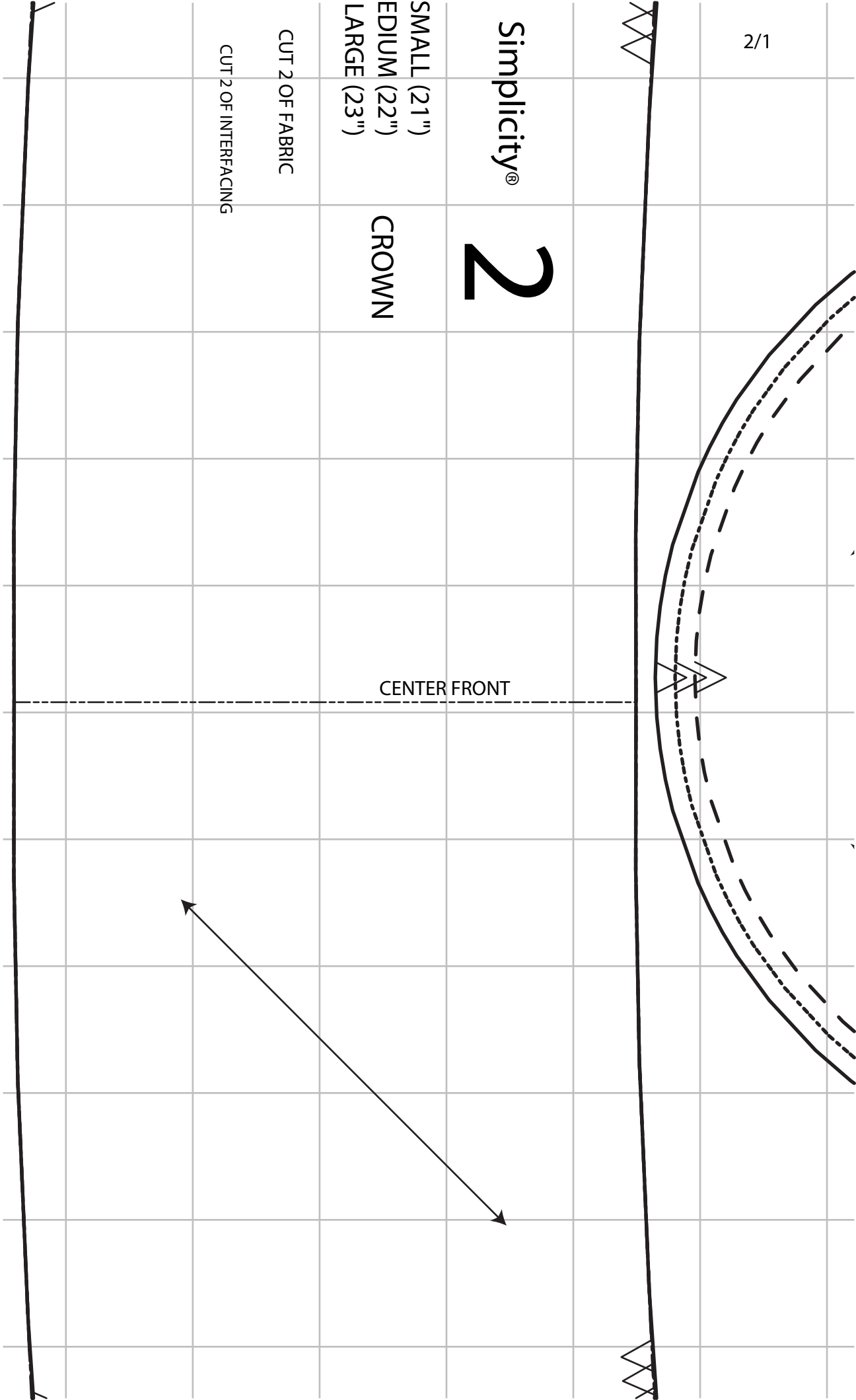
SMALL (21")
MEDIUM (22")
LARGE (23")

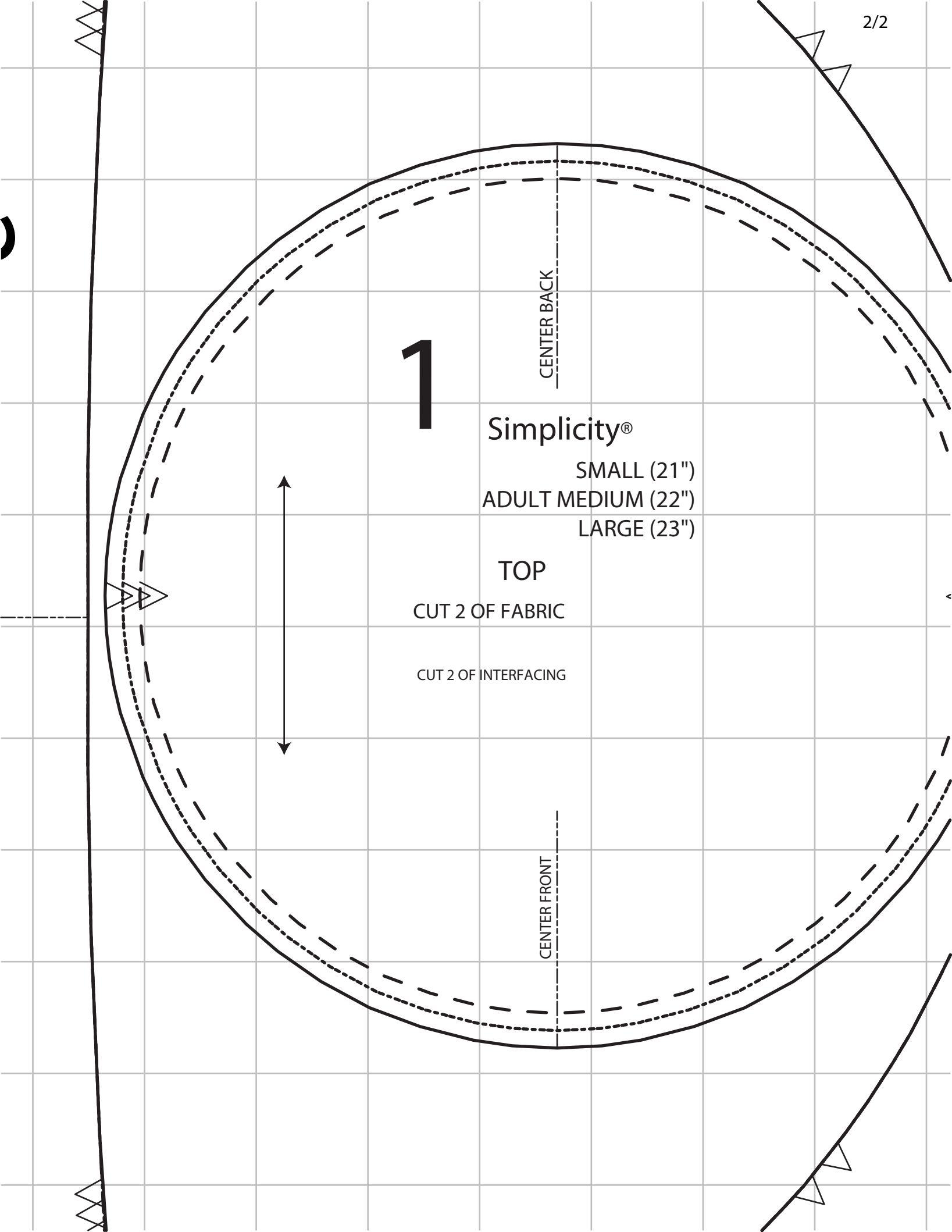
CROWN

CUT 2 OF FABRIC

CUT 2 OF INTERFACING

CENTER FRONT





1

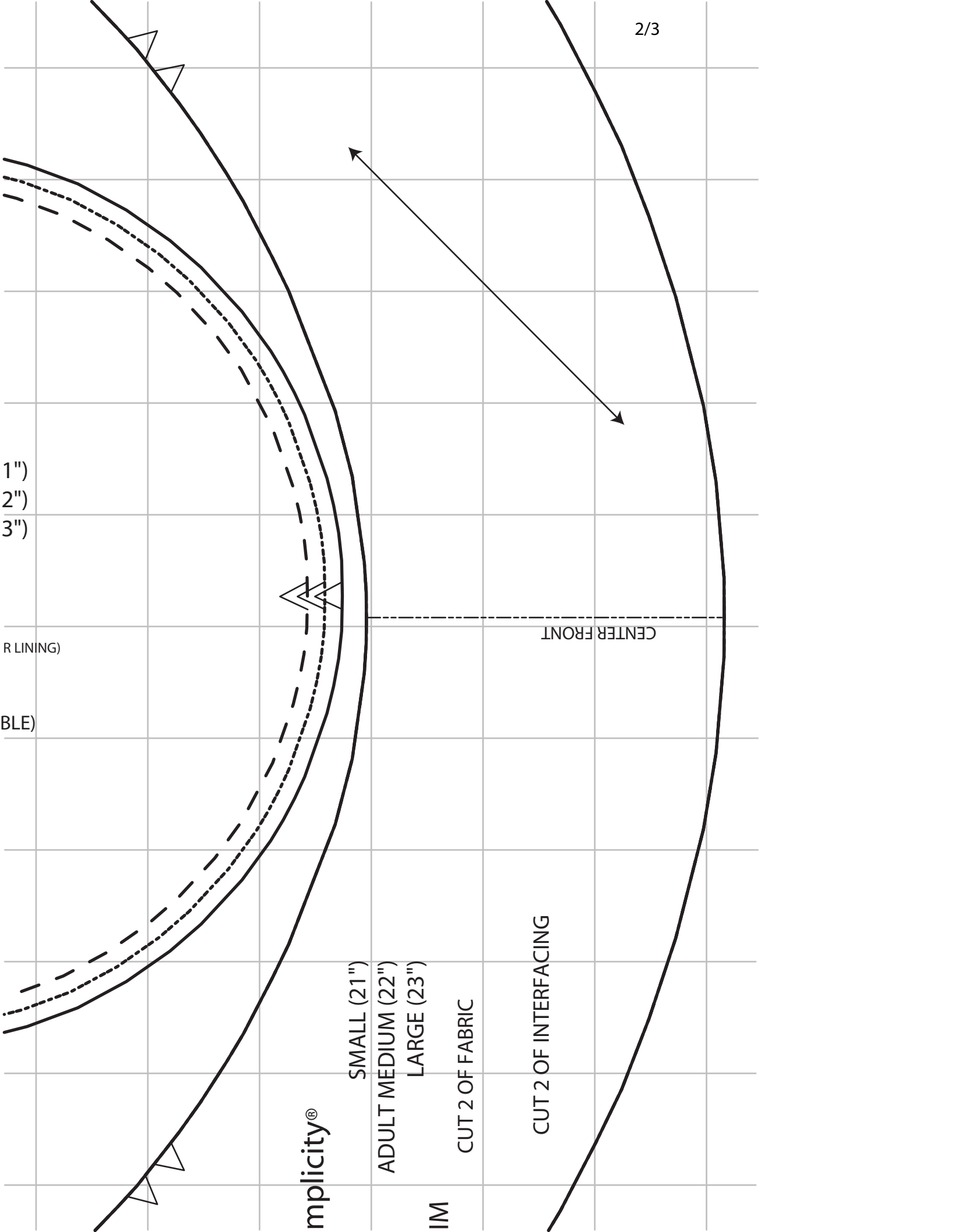
Simplicity®
SMALL (21")
ADULT MEDIUM (22")
LARGE (23")

TOP
CUT 2 OF FABRIC
CUT 2 OF INTERFACING

CENTER BACK

CENTER FRONT





1")
2")
3")

R LINING)

BLE)

CENTER FRONT

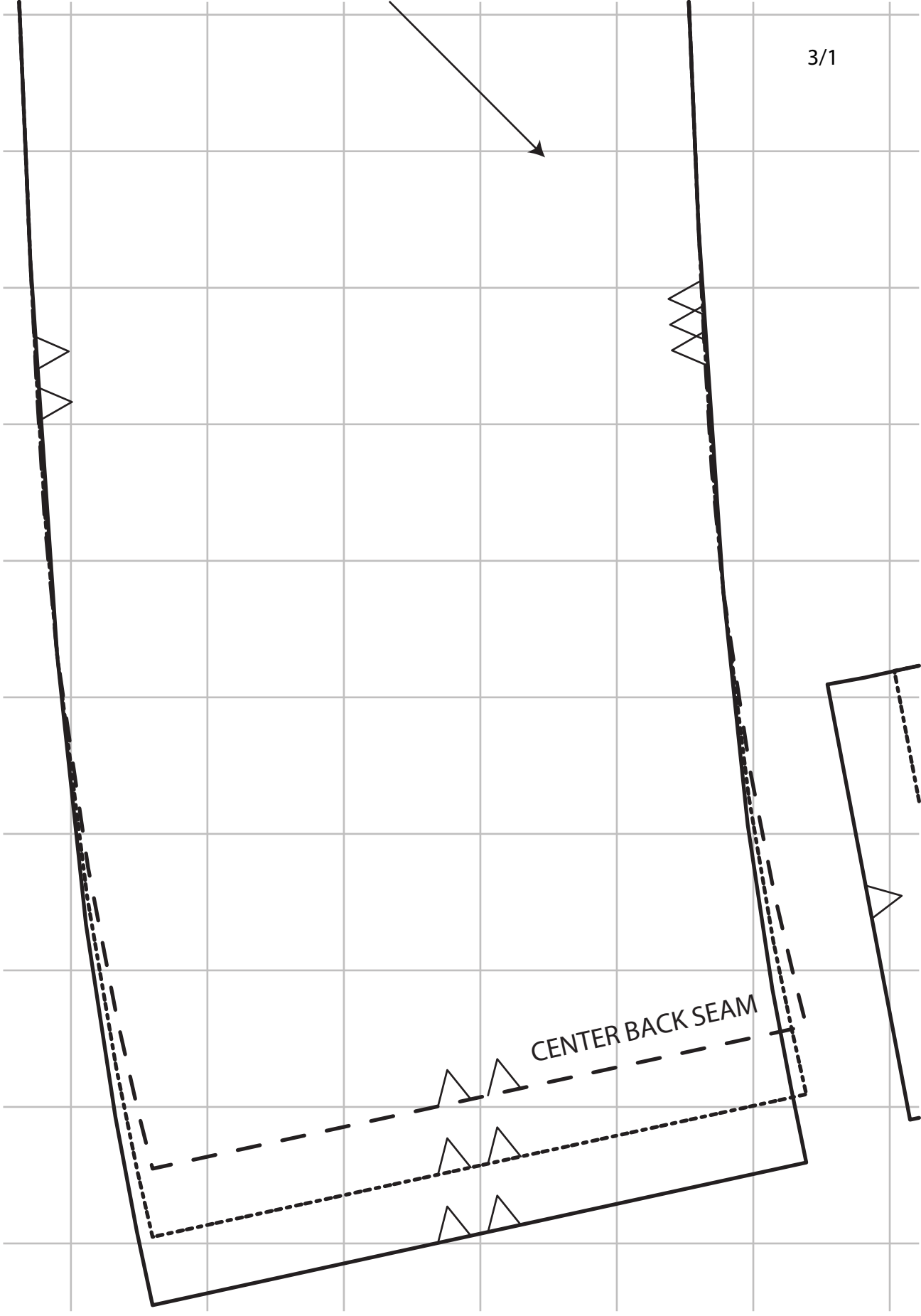
mplicity®

SMALL (21")
ADULT MEDIUM (22")
LARGE (23")

IM

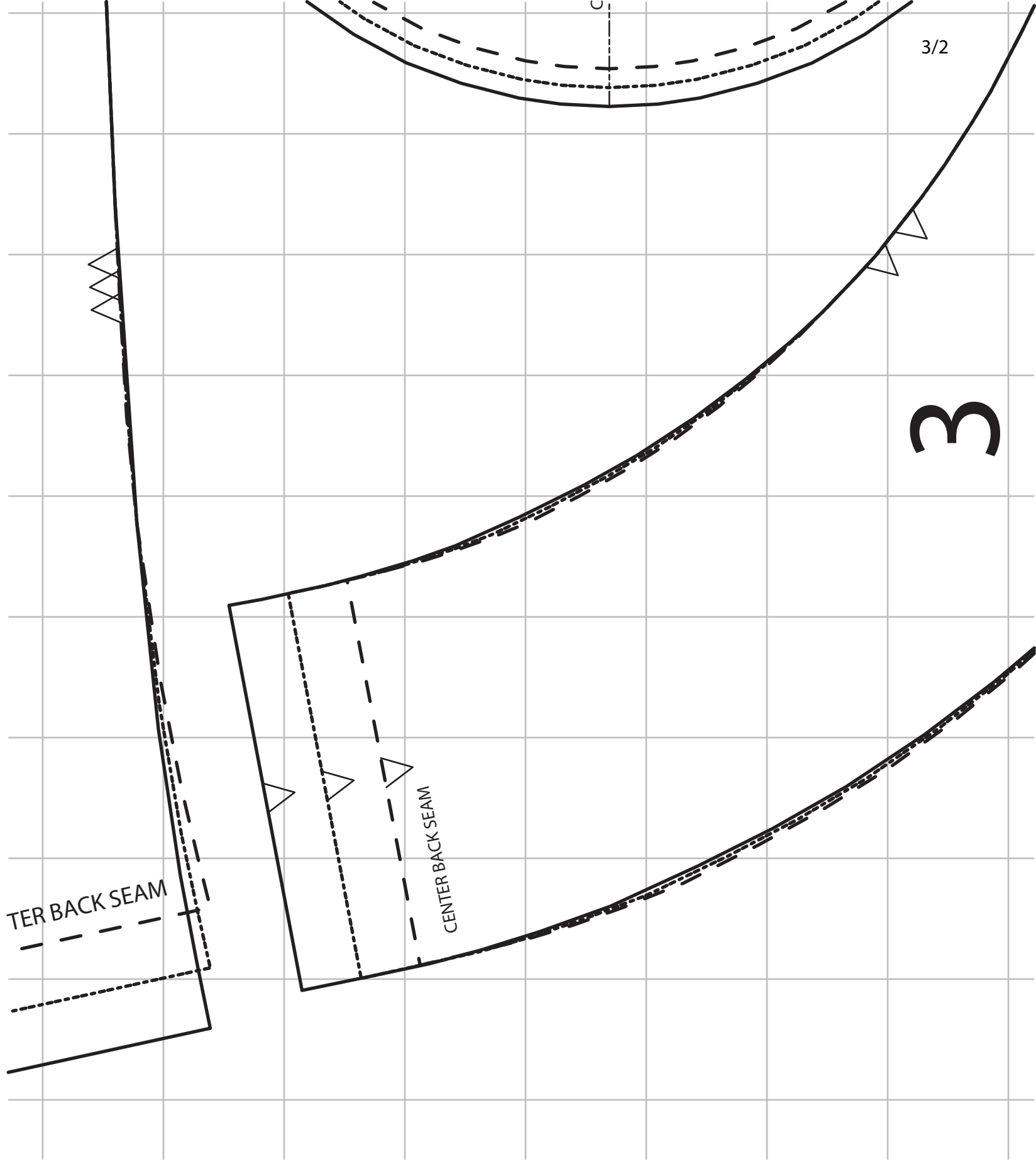
CUT 2 OF FABRIC

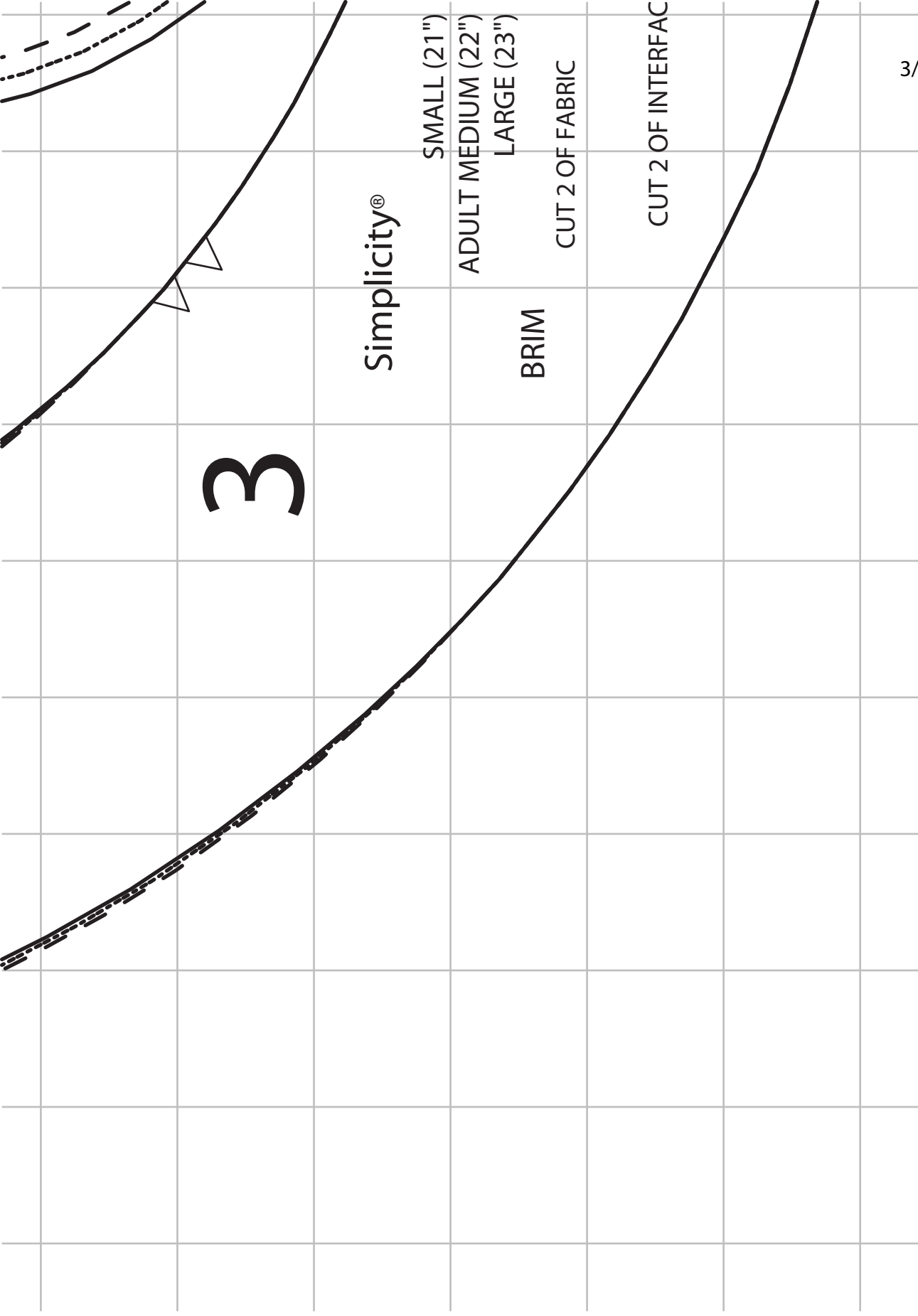
CUT 2 OF INTERFACING



3/2

3





3

Simplicity®

SMALL (21")

ADULT MEDIUM (22")

LARGE (23")

BRIM

CUT 2 OF FABRIC

CUT 2 OF INTERFAC